

INSULATED DOUBLE HOUSING STRUCTURE

KSA-6615E

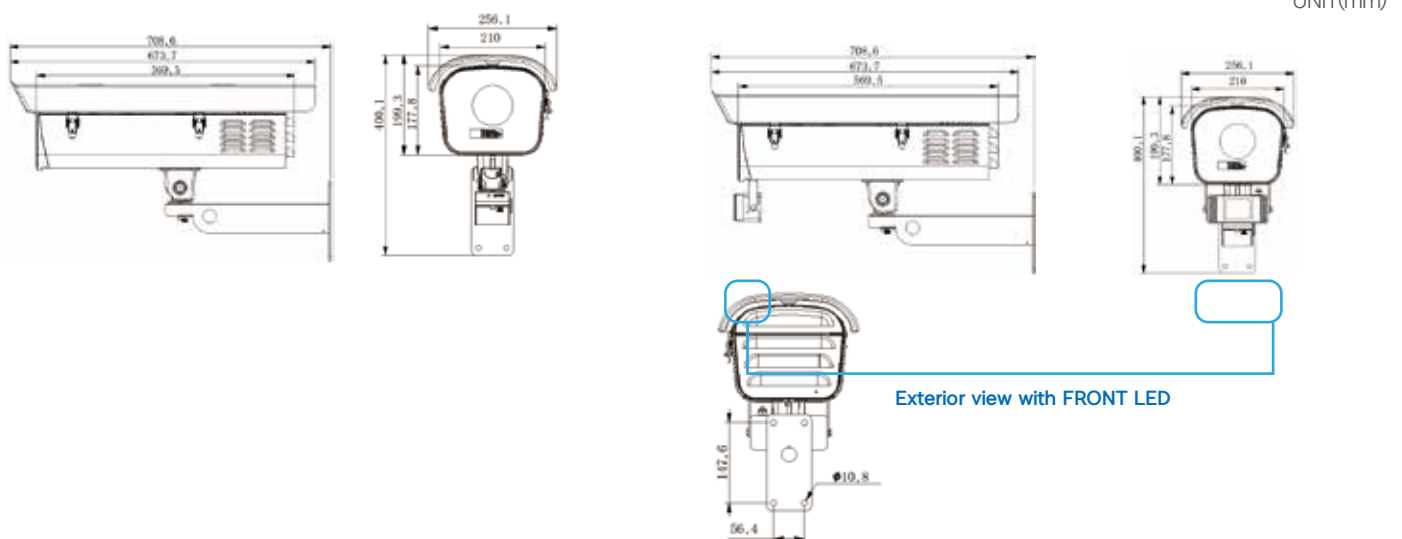


Functions

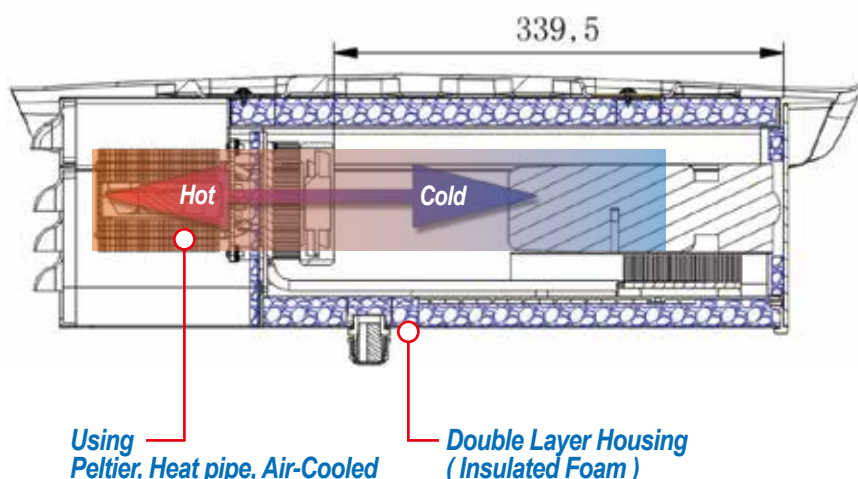
- Ultra-small electronic cooling system (operates without compressor)
- Insulated double housing structure (exterior: aluminum / interior: plastic)
- Power supply built-in bracket
- Tropical areas / high temperature industrial environments and roads / thermal imaging cameras
- PoE support (optional)
- Heater, wiper (optional)



Exterior view size

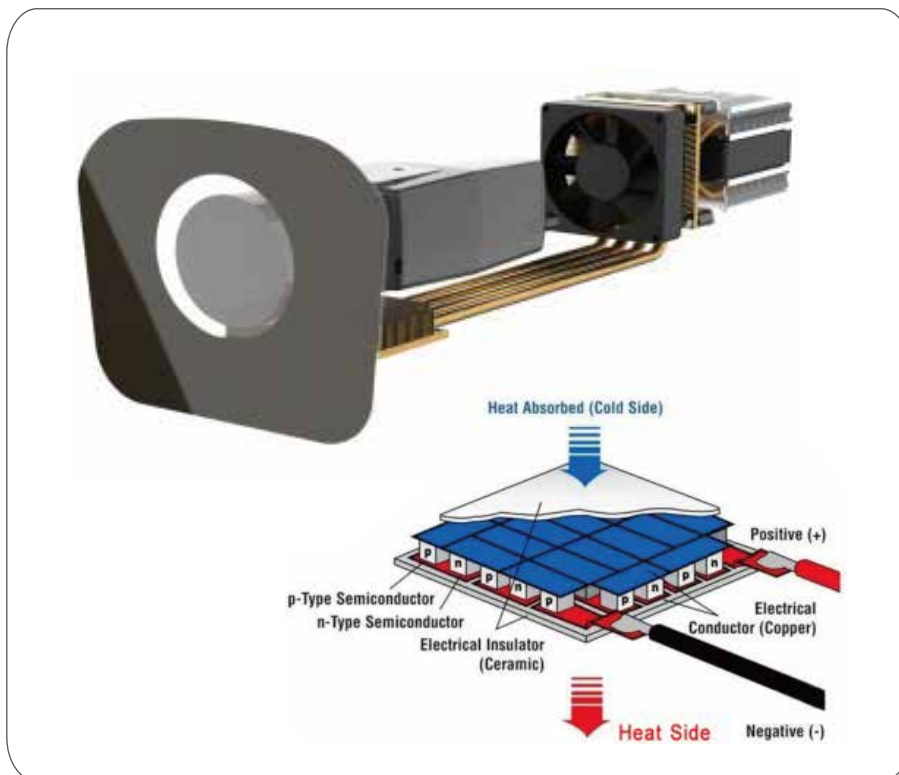


Detailed Heat Exchange Operation



Model	KSA-6615E
Main materials	Aluminium + PC Plastic + stainless steel
External dimensions	256.1 (W) *400.1(H)*708.6(L)mm
Internal dimensions	138.6 (W) *88.3(H)*338.5(L)mm
Window	Max 80(W)*80(H)
FAN	Standard configuration
LED light	Option
Camera	Option
Waterproof	IP66
Power	Input 100V-240VAC,Output DC12V(Camera)
Rated power	Standard=90W + LED Light=100W
Mounting	Standard
bracket accessories	configuration Wall Mount
work environment	Temp. : -30°C~+70°C Humidity : 20~95%RH (No condensation)
storage environment	Temp. : -30°C~+70°C Humidity : 10~95%RH (No condensation)
Temperature Display	Environment Temperature+Internal Temperature

Active Heat Exchange System Principle.



Active Cooling System

※ Design and Specification can be different between latest production, Please contact out sales for update.

· IP66 (Ingress Protection, international dust/waterproof standard) is applied when the product is installed and assembled correctly according to shipping conditions.



INSULATED DOUBLE HOUSING STRUCTURE

KSA-6615E



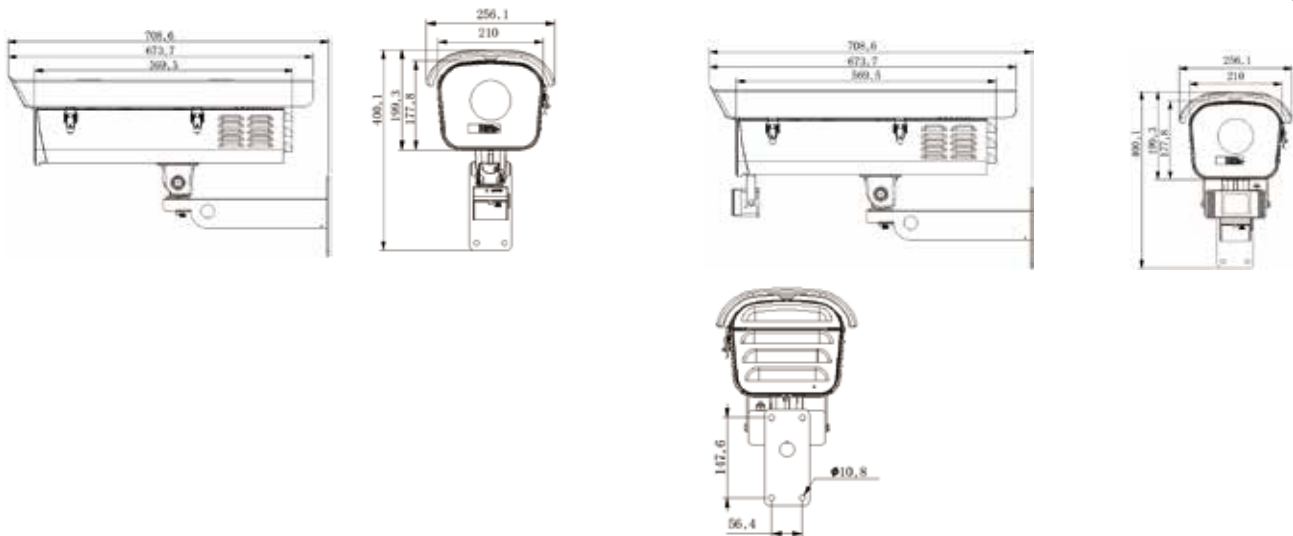
Functions

- 초소형 전자식 쿨링 시스템 (컴프레서 없는 작동 방식)
- 단열 이중 하우징 구조 (외부 : 알루미늄 / 내부 : 플라스틱)
- 전원 공급 장치 내장 브래킷
- 열대지역 / 고온 산업환경 및 도로 / 열화상 카메라
- PoE 지원 (옵션)
- 히터, 와이퍼 (옵션)

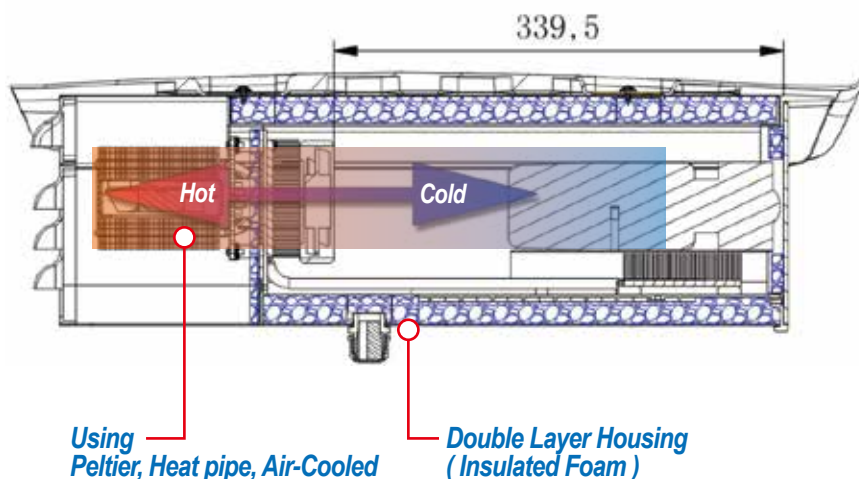


Exterior view size

UNIT(mm)

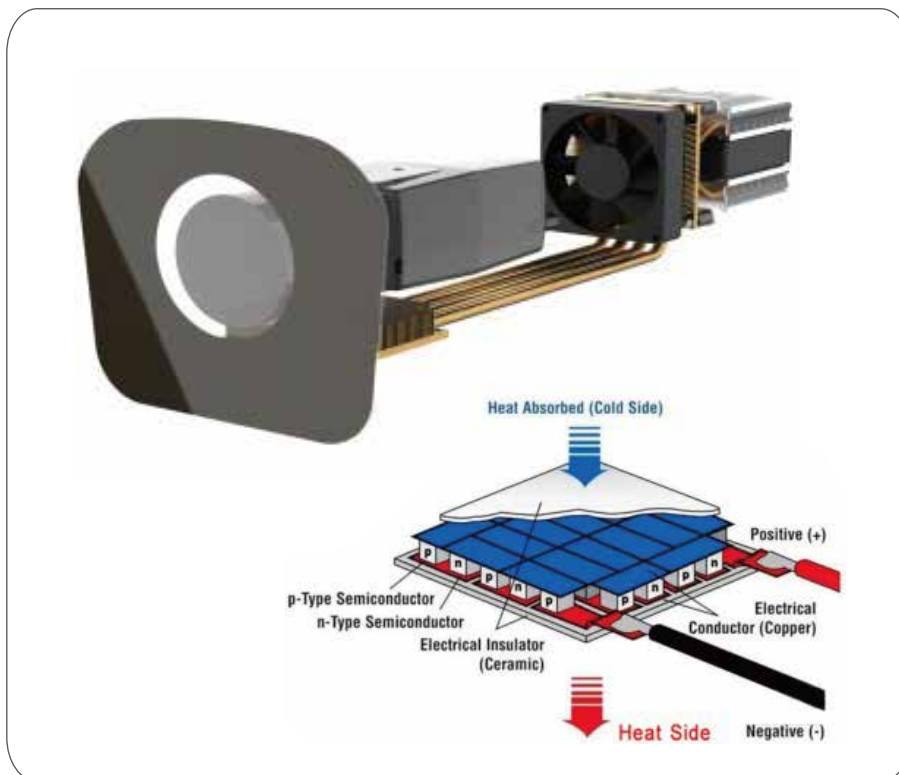


Detailed Heat Exchange Operation



Model	KSA-6615E
Main materials	Aluminium + PC Plastic + stainless steel
External dimensions	256.1 (W) *400.1(H)*708.6(L)mm
Internal dimensions	138.6 (W) *88.3(H)*338.5(L)mm
Window	Max 80(W)*80(H)
FAN	Standard configuration
LED light	Option
Camera	Option
Waterproof	IP66
Power	Input 100V-240VAC, Output DC12V(Camera)
Rated power	Standard=90W + LED Light=100W
Mounting	Standard
bracket accessories	configuration Wall Mount
work environment	Temp. : -30°C~+70°C Humidity : 20~95%RH (No condensation)
storage environment	Temp. : -30°C~+70°C Humidity : 10~95%RH (No condensation)
Temperature Display	Environment Temperature+Internal Temperature

Active Heat Exchange System Principle.



Active Cooling System

능동적 열교환 시스템

※ Design and Specification can be different between latest production, Please contact out sales for update.
· IP66 (Ingress Protection, 국제 방진/방수 규격)은 제품이 출하조건으로 정확히 설치 및 조립 되었을 때 적용됩니다.



www.kevis.co.kr