

Receiver for Pan-Tilt Drive and Motorized Zoom Lenses



KRX-3000

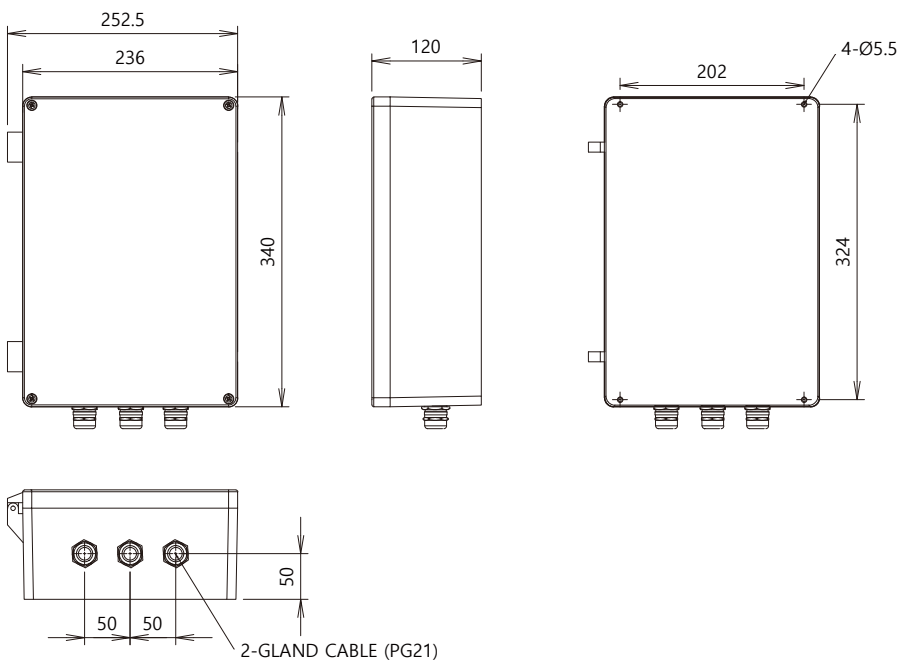
Functions

- Electric swivel and electric zoom lens drive output
- Built-in preset function
- Control of 3 AUX outputs
- Indoor and outdoor use



Exterior view size

UNIT(mm)



Communication method	RS-485
input power	AC220V, 60Hz
Electric swing	Right, Left, Up, Down, Auto Pan,
control output	220v
Zoom lens	Zoom, Tele / Wide, Focus Near / Far,
control output	Iris Open / Close
Enter preset position	PAN / TILT / ZOOM / FOCUS
AUX 1	220V
AUX 2	Relay Out (NO, NC)
AUX 3	DC 24V
Camera Power	DC 12V x 2 Port
weight	4.3Kg
External dimensions	250(W) x 340(L) x 120(H)
Function	Up / Down / Left / Right / Auto Pan
Preset	Max 127 Position, Resolution 10bit
Aux	Aux 1 out : 220VAC(Light Power) / Aux 2 Out : Relay Contact Dry Aux 3 Out : DC 24V / Camera Power : DC 12V x 2 Port
Alarm	Four Alarm In, Normal Open Operating Current : Min 10mA~ Max 100mA
Address	Pan Tilt Peristalsis : 1~255 Auto (Pelco-D/P, Samsung-E/T, Bosch)
Protocol	Pelco-D/P, Samsung - E/T, Bosch, Vicon, Panasonic, Honeywell W-Drx, Yujin, Sungjin
Baudrate	Pan Tilt Peristalsis 2400, 4800, 9600, 19200, 38400, 57600 bps
Control	RS-485 / RS-422
RS-485 (Telemetry line)	Max 1.2Km
Lens Voltage	6~12V Selectable
Lens Wire	Zoom+, Zoom-, Focus+, Focus-
Input Power	AC220V
Output Power	220VAC ,12VDC (Max 1.5A, 24VDC (Max 2A)
Power Consumption	< 10W @ 220VAC No LOAD
Weather Resistant	-20 ℃ ~ + 65 ℃, Humidity Rh 0~90% Non-Condensing
Dimenson	250W x 340L x 120H , 4.3Kg

※ Design and Specification can be different between latest production, Please contact out sales for update.

· IP66 (Ingress Protection, international dust/waterproof standard) is applied when the product is installed and assembled correctly according to shipping conditions.

17, Gosan-ro 148beon-gil, Gunpo-si, Gyeonggi-do (Dangjeong-dong, Gunpo IT Valley Building B 1307) TEL. +82-31-427-9801 FAX. +82-31-427-9806 ● E-Mail : jy.an@kevis.co.kr



팬틸트 드라이브 및 전동 줌 렌즈용 리시버

KRX-3000



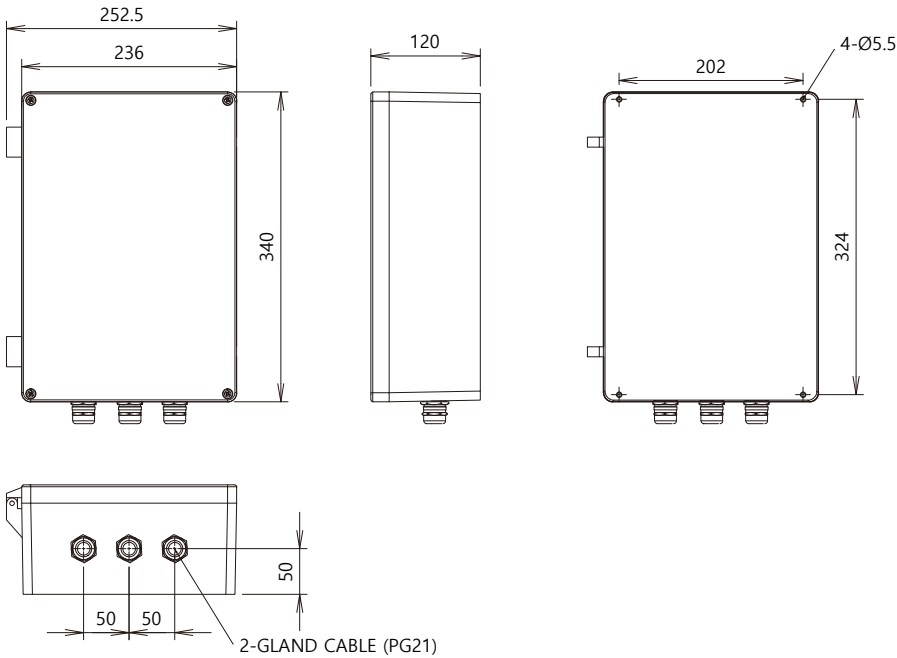
Functions

- 전동 선회대 및 전동 줌 렌즈 구동 출력
- Preset 기능 내장
- 3대의 AUX 출력 제어
- 실내, 외 겸용



Exterior view size

UNIT(mm)



Communication method	RS-485
input power	AC220V, 60Hz
Electric swing	Right, Left, Up, Down, Auto Pan,
control output	220v
Zoom lens	Zoom, Tele / Wide, Focus Near / Far,
control output	Iris Open / Close
Enter preset position	PAN / TILT / ZOOM / FOCUS
AUX 1	220V
AUX 2	Relay Out (NO, NC)
AUX 3	DC 24V
Camera Power	DC 12V x 2 Port
weight	4.3Kg
External dimensions	250(W) x 340(L) x 120(H)
Function	Up / Down / Left / Right / Auto Pan
Preset	Max 127 Position, Resolution 10bit
Aux	Aux 1 out : 220VAC(Light Power) / Aux 2 Out : Relay Contact Dry Aux 3 Out : DC 24V / Camera Power : DC 12V x 2 Port
Alarm	Four Alarm In, Normal Open Operating Current : Min 10mA~ Max 100mA
Address	Pan Tilt Peristalsis : 1~255 Auto (Pelco-D/P, Samsung-E/T, Bosch)
Protocol	Pelco-D/P, Samsung - E/T, Bosch, Vicon, Panasonic, Honeywell W-Drx, Yujin, Sungjin
Baudrate	Pan Tilt Peristalsis 2400, 4800, 9600, 19200, 38400, 57600 bps
Control	RS-485 / RS-422
RS-485 (Telemetry line)	Max 1.2Km
Lens Voltage	6~12V Selectable
Lens Wire	Zoom+, Zoom-, Focus+, Focus-
Input Power	AC220V
Output Power	220VAC ,12VDC (Max 1.5A, 24VDC (Max 2A)
Power Consumption	< 10W @ 220VAC No LOAD
Weather Resistant	-20 ℃ ~ + 65 ℃, Humidity Rh 0~90% Non-Condensing
Dimenson	250W x 340L x 120H , 4.3Kg

