

## ALUMINUM EXPLOSION PROOF HOUSING



# KEX-5112

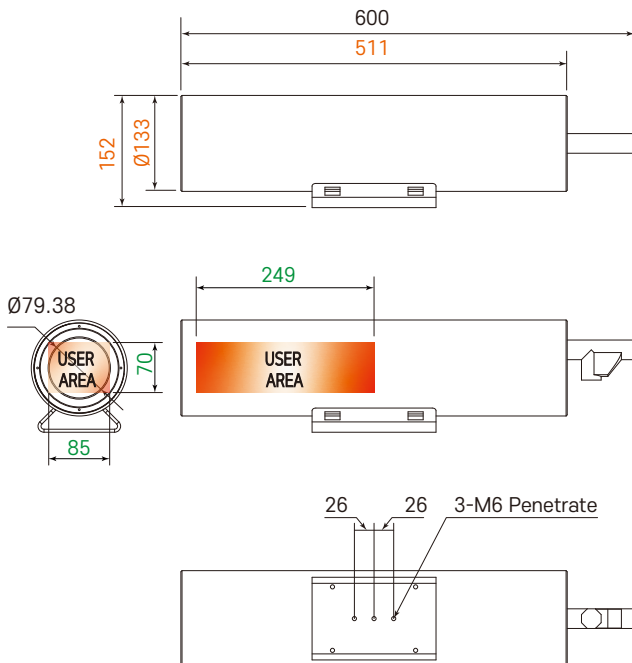
### Functions

- Fully sealed pressure-resistant explosion-proof housing (aluminum)
- Equipped with cameras and lenses of various sizes
- Pressure-resistant and explosion-proof certified products
- Petrochemical plants, power plants, gas stations, etc.
- Use of specially heat-treated tempered glass



### Exterior view size

UNIT(mm)

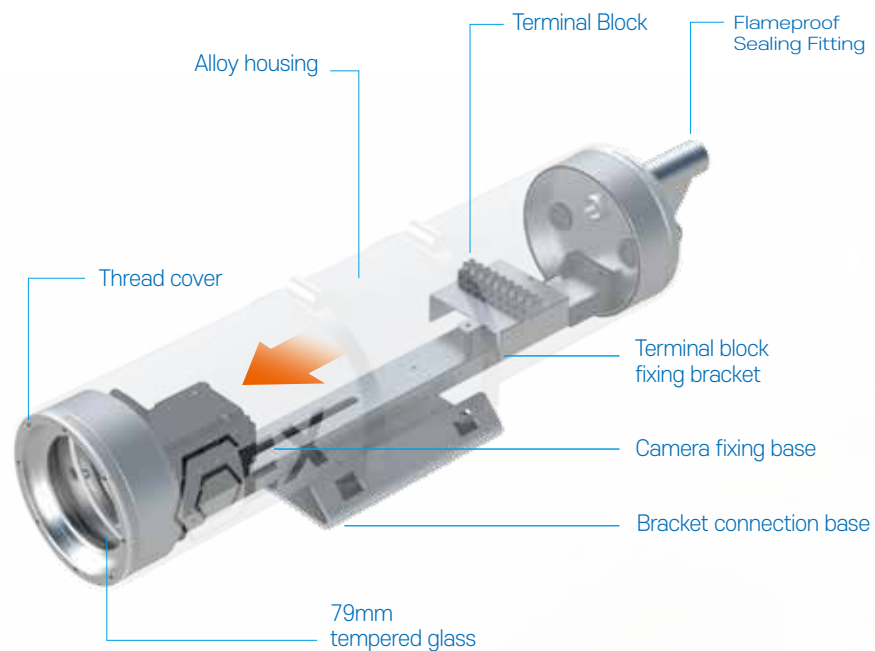


# TECHNICAL SPECIFICATIONS

CCTV HOUSING SERIES

Material	ALLOY 6061
Color	White (Nomal)
weight	7.3kg
Product Dim(mm)	133(W) x 152(H) x 511(L) mm
Inside Dim(mm)	85(W) x 70(H) x 249(L) mm
Product use	Explosion proof / Outdoor
Explosion-proof standards	Ex d IIC T6
Temperature	-20°C~+55°C

## Product composition



## Mechanical

Explosion structure		Facility grade		Temperature grade		
EX	d	II	C	T6		
Classification	Symbol	Classification	Symbol	Class	Maximum surface / Ignition temperature	
<b>Internal pressure</b>	<b>d</b>	Industrial <b>II</b>	A	T1	300 < t ≤ 450	
Pressure	p		<b>Gas vapor</b>	B	T2	200 < t ≤ 350
A safety certificate	e		<b>C</b>	11	T3	135 < t ≤ 200
Inflow	o		Dust	12	T4	100 < t ≤ 135
Essential safety	ia, ib		13	T5	85 < t ≤ 100	
Non-ignition	n			<b>T6</b>	<b>t ≤ 85</b>	
Mold	m					
Charging	q	Type of Ex	d			
Special	s	Class of Gas vapor	IIC			
Special earthquake	SDP	Ignition rating	T6			
Normal earthquake	DP					
Dustproof special	ZDP					

Type of Ex	d	· Internal pressure explosion structure.
Class of Gas vapor	IIC	· Not inflammable to internal and gases and vapors.
Ignition rating	T6	· Max safety gap range : less than 0.5
		· Min ignition current ratio range : below 0.45
		· Max surface temperature : below 85°C
		· Toughened gas(°C) : > 85°C > 100°C

※ Design and Specification can be different between latest production, Please contact out sales for update.

· IP66 (Ingress Protection, international dust/waterproof standard) is applied when the product is installed and assembled correctly according to shipping conditions.

17, Gosan-ro 148beon-gil, Gunpo-si, Gyeonggi-do (Dangjeong-dong, Gunpo IT Valley Building B 1307) TEL. +82-31-427-9801 FAX. +82-31-427-9806 ● E-Mail : jy.an@kevis.co.kr



www.kevis.co.kr

## ALUMINUM EXPLOSION PROOF HOUSING

# KEX-5112



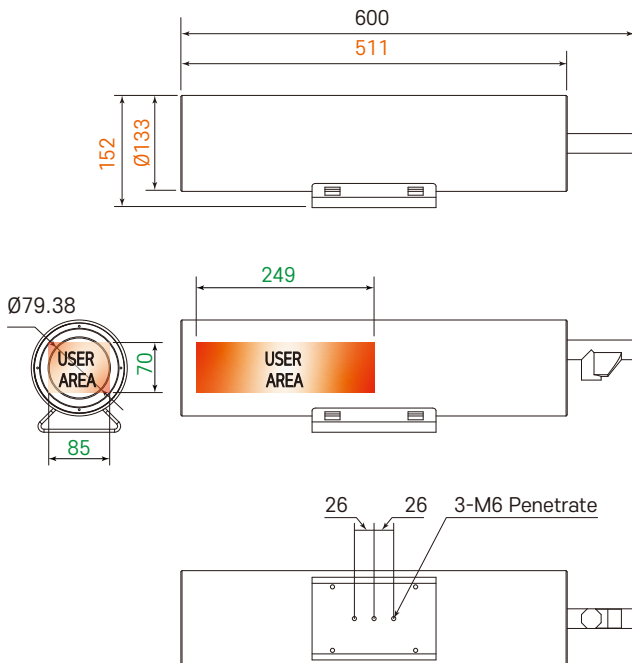
### Functions

- 완전 밀폐형 내압 방폭형 하우징 (알루미늄)
- 다양한 크기의 카메라 및 렌즈 장착
- 내압 방폭 인증 제품
- 석유 화학공장, 발전소, 주유소 등
- 특수열처리된 강화유리 사용



### Exterior view size

UNIT(mm)

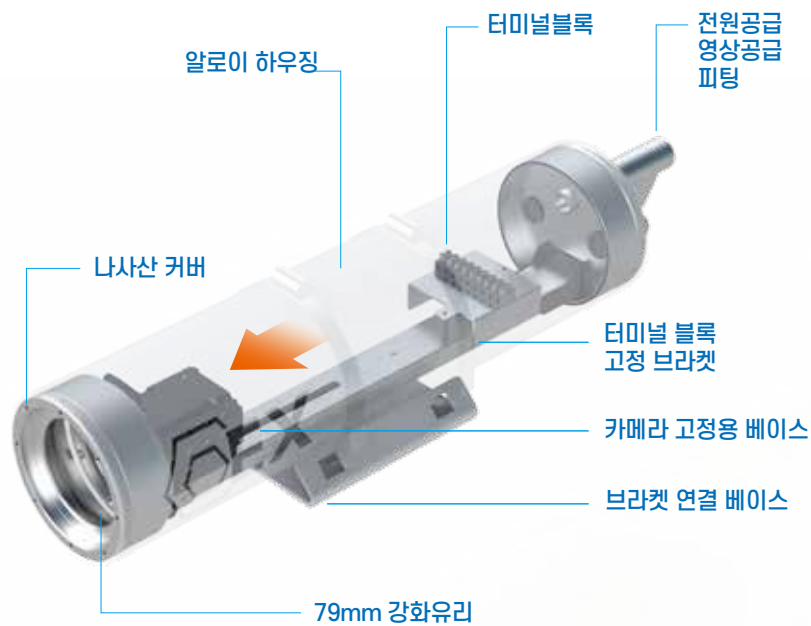


# TECHNICAL SPECIFICATIONS

CCTV HOUSING SERIES

Material	ALLOY 6061
Color	White (Nomal)
weight	7.3kg
Product Dim(mm)	133(W) x 152(H) x 511(L) mm
Inside Dim(mm)	85(W) x 70(H) x 249(L) mm
Product use	Explosion proof / Outdoor
Explosion-proof standards	Ex d IIC T6
Temperature	-20°C~+55°C

## Product composition



## Mechanical

Explosion structure		Facility grade		Temperature grade		
EX	d	II	C	T6		
Classification	Symbol	Classification	Symbol	Class	Maximum surface / Ignition temperature	
<b>Internal pressure</b>	<b>d</b>	Industrial <b>II</b>	<b>C</b>	T1	300 < t ≤ 450	
Pressure	p			<b>Gas vapor</b>	T2	200 < t ≤ 350
A safety certificate	e				T3	135 < t ≤ 200
Inflow	o			Dust	T4	100 < t ≤ 135
Essential safety	ia, ib	T5	85 < t ≤ 100			
Non-ignition	n			<b>T6</b>	<b>t ≤ 85</b>	
Mold	m					
Charging	q					
Special	s					
Special earthquake	SDP					
Normal earthquake	DP					
Dustproof special	ZDP					
		Type of Ex	d	<ul style="list-style-type: none"> <li>Internal pressure explosion structure.</li> <li>Not inflammable to internal and gases and vapors.</li> </ul>		
		Class of Gas vapor	IIC	<ul style="list-style-type: none"> <li>Max safety gap range : less than 0.5</li> <li>Min ignition current ratio range : below 0.45</li> </ul>		
		Ignition rating	T6	<ul style="list-style-type: none"> <li>Max surface temperature : below 85°C</li> <li>Toughened gas(°C) : &gt; 85°C &gt; 100°C</li> </ul>		

※ Design and Specification can be different between latest production, Please contact out sales for update.

· IP66 (Ingress Protection, 국제 방진/방수 규격)은 제품이 출하조건으로 정확히 설치 및 조립 되었을 때 적용됩니다.



www.kevis.co.kr