

MULTI CAMERA APPLICATION

CNP-5300DW



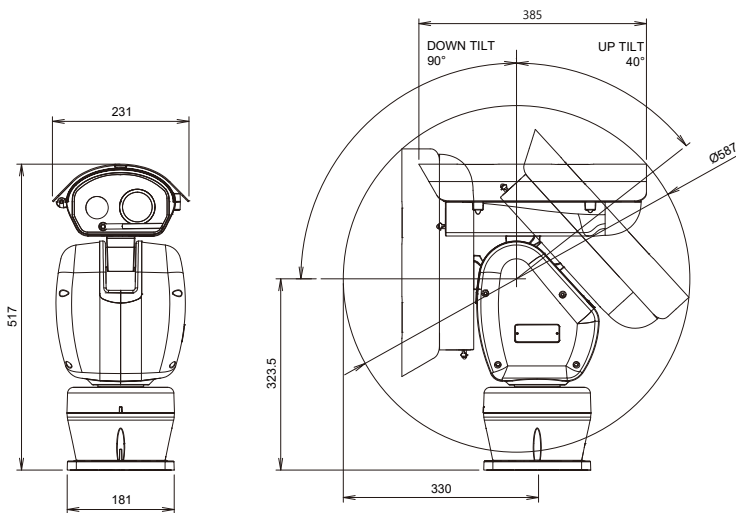
Functions

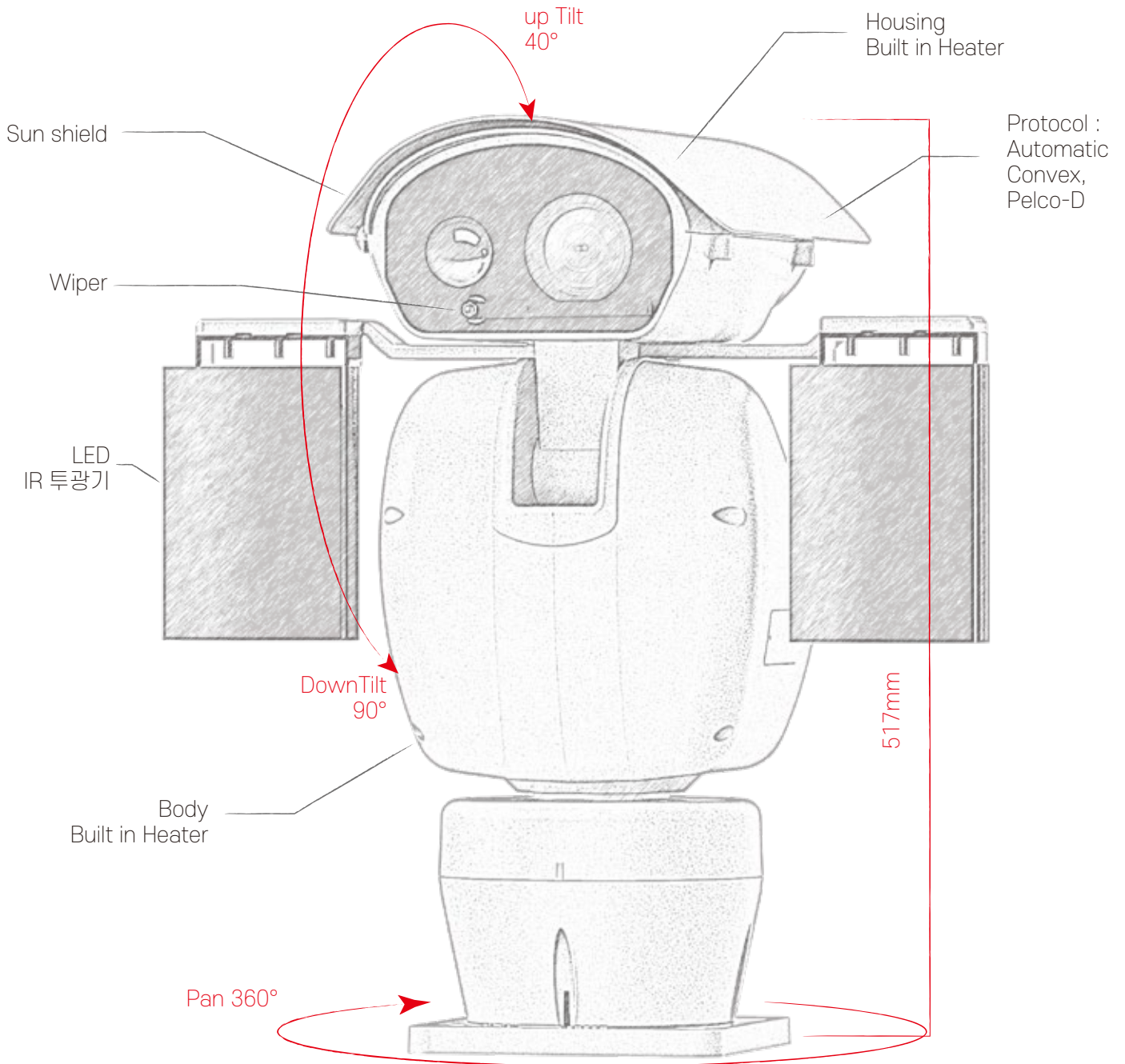
- Zoom Module (Optional)
: 2M 36x, 4M 37x, 8M 40x, 2M 57x
- Built-in laser projector 500M~1,000M
- External IR emitter 200M
- Built-in wiper heater



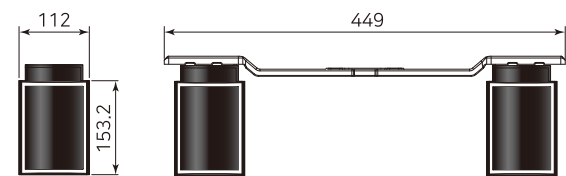
Exterior view size

UNIT(mm)





Sensor		SDK Support	API, ONVIF Profile S/T Compliant
Image Sensor	Sony IMX385L, 1/2" Starvis Sensor	EXTERNAL IN/OUT	
Effective Pixel	1952(H) x 1113(V) approx. 2.17M pixels	Ethernet Tx/Rx	RJ-45(10/100/1000Base-T)
Lens		Day & Night Control	IR_Cut_Filter Exchange
Focal Length	6.0~216 mm±5%	Alarm Control	Alarm-In 2/Alarm-Out 2
F No.	F1.5±5% (Wide) ~ F4.8±5% (Tele)	Audio	Line-In/Line-Out
Type	36x Day & Night Zoom Lens		
Field of View	H56.5°(W)~ V36°(H)	General	
Camera		Pan Range/Speed	0° ~ 360° (Endless), 0.025°/sec~ 120°/sec
High Dynamic Range	DOL HDR (Digital Over Lab High Dynamic Range)	Tilt Range/Speed	-90°~ 40°, 0.025°/sec ~ 40°/sec
Day and Night Mode	Automatic, Day, Night	Preset Accuracy/Repeat	Max. ±0.1° / Max. +0.05°
Noise Reduction	2D-NR, 3D-NR	Preset / Speed	Max. 319 Point/Max. 120°/sec(Pan)
Auto Exposure Mode	Automatic (Priority: Frame rate/Low noise), Manual	Scan / Group / Pattern	2/4/8
Shutter Speed Control	Auto: Min. 1/135,000 sec ~ Max. 1/60 sec Manual: Min. 1/10,000 sec ~ Max. 1/10 sec	Fan/Heater/Wiper	Built-in Fan / Heater / Defrost Heater/Wiper
		Power Source	AC 24V ± 10%, 6A(MAX)
Gain Control	Automatic: Min. 1.2dB~ Max. 54dB Manual: Min. 1.2dB~ Max. 54dB, Default 1.2dB	Power Consumption	100W (Heater on), 38W (Heater off)
Auto White Balance Mode	ATW-Indoor/Outdoor, Shade, Clear sky, Fluorescent light, Light bulb, Flame, Manual	Operating Temperature	-40°C ~ 55°C (-40°F~ 131°F) / Up to 90%RH
		Unit Dim /Usable Dim	WxHxD(mm): 219 x 510 x 530/154 x 112 x 296.5
Digital Zoom	16x	Unit / Load Weight	11kg/Max 7kg
On Screen Display	On/Off	Color/material	White/Aluminum die-casting
BLC/HLC	On/Off	Certificate/IP Rating	IP 66, KC, CE
Image Effect	Mirror, Flip		
Privacy Mask	Max.8 Area Selection	Accessory	
Video Motion Detection	Max.4 Area Selection	LED IR Illuminator	
Lens Distortion Compensation	On/Off	Max distance	200m
Defog	On/Off	Number LEDs	9 ea
Min Illumination (Color)	Color(1/30s)0.15lux,Color DSS(1/7.5s)0.0375 lux	Light Angle Range	Fixed Lens 25°
Min Illumination (B/W)	B/W (1/30s)0.001lux, B/W(1/7.5s)0.002 lux	Auto adjustment function	Auto IR On/Off, Day & Night
NETWORK		Dustproof, Waterproof	IP67
Video Compression	H265 Main profile, H264(High, Main, Base line profile), MJPEG	Standard	EMC(FCC, CE, VCCI, RCM, KC)
Video Resolution(Frame)	1920x1080/60fps (Full-HD), 1280x760(HD), 640x480(VGA), 352x288(CIF),320x240(QVGA)	Power supply	24V AC(± 10%) / 2A (2ea)
Video Streaming	Simultaneously H265 or H264 and MJPEG (Multi Streaming)		
Audio Streaming	Independent Frame Rate and Bandwidth Control, VBR/CBR Mode		
FTP Uploading	Two way(G.711)		
Event In	MJPEG Still Image		
Event Out Notification	Onboot/Trigger/Network Loss/Tampering/Motion		
Login Authority	E-mail, FTP		
Event Buffering	Administrator, Operator, Guest		
Manual Trigger	FTP: Pre/Post Event Time: 0~30sec, FPS: 1~2 fps		
Security	Still Image Capture		
Software Reset /Auto Recovery	Multi User Authority, IP Filtering, HTTPS		
Remote Upgrade	Restart, Reset, Factory Default/Backup, Restore Using Web Browser		
Protocols	TCP/IP, UDP, IPv4/v6, HTTP, HTTPS, FTP, UPnP, RTP, RTSP, RTCP, DHCP, ARP		
Max. User Connection	10 Users		



Front 2D View

Ex) Ass'y Light Bracket

Laser IR Illuminator

Max distance	500m / 1000m (808nm)
Product Size	51 x 52 x 70(mm)
Auto adjustment function	Auto IR On/Off, Day & Night
Dustproof, Waterproof	300g.
Standard	LED ANGLE 1.7~70°
Power supply	DC 12V RS485(PELCO-D)



※ Design and Specification can be different between latest production, Please contact out sales for update.

· IP66 (Ingress Protection, international dust/waterproof standard) is applied when the product is installed and assembled correctly according to shipping conditions.

17, Gosan-ro 148beon-gil, Gunpo-si, Gyeonggi-do (Dangejeong-dong, Gunpo IT Valley Building B 1307) TEL. +82-31-427-9801 FAX. +82-31-427-9806 ● E-Mail : jy.an@kevis.co.kr



www.kevis.co.kr

MULTI CAMERA APPLICATION

CNP-5300DW



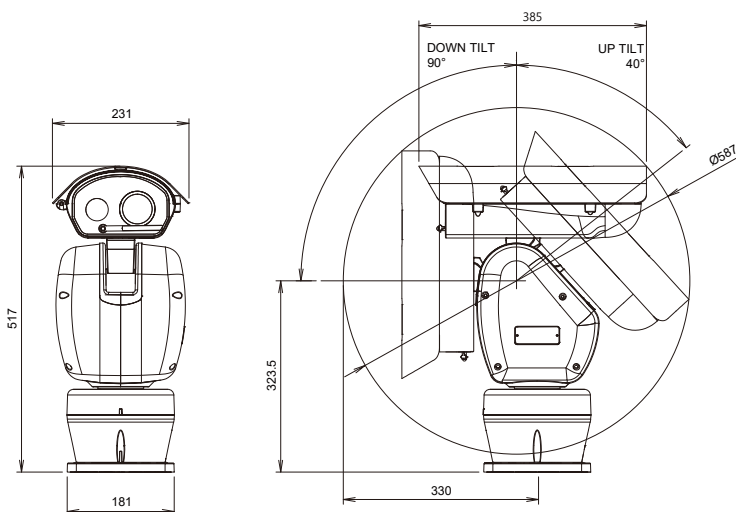
Functions

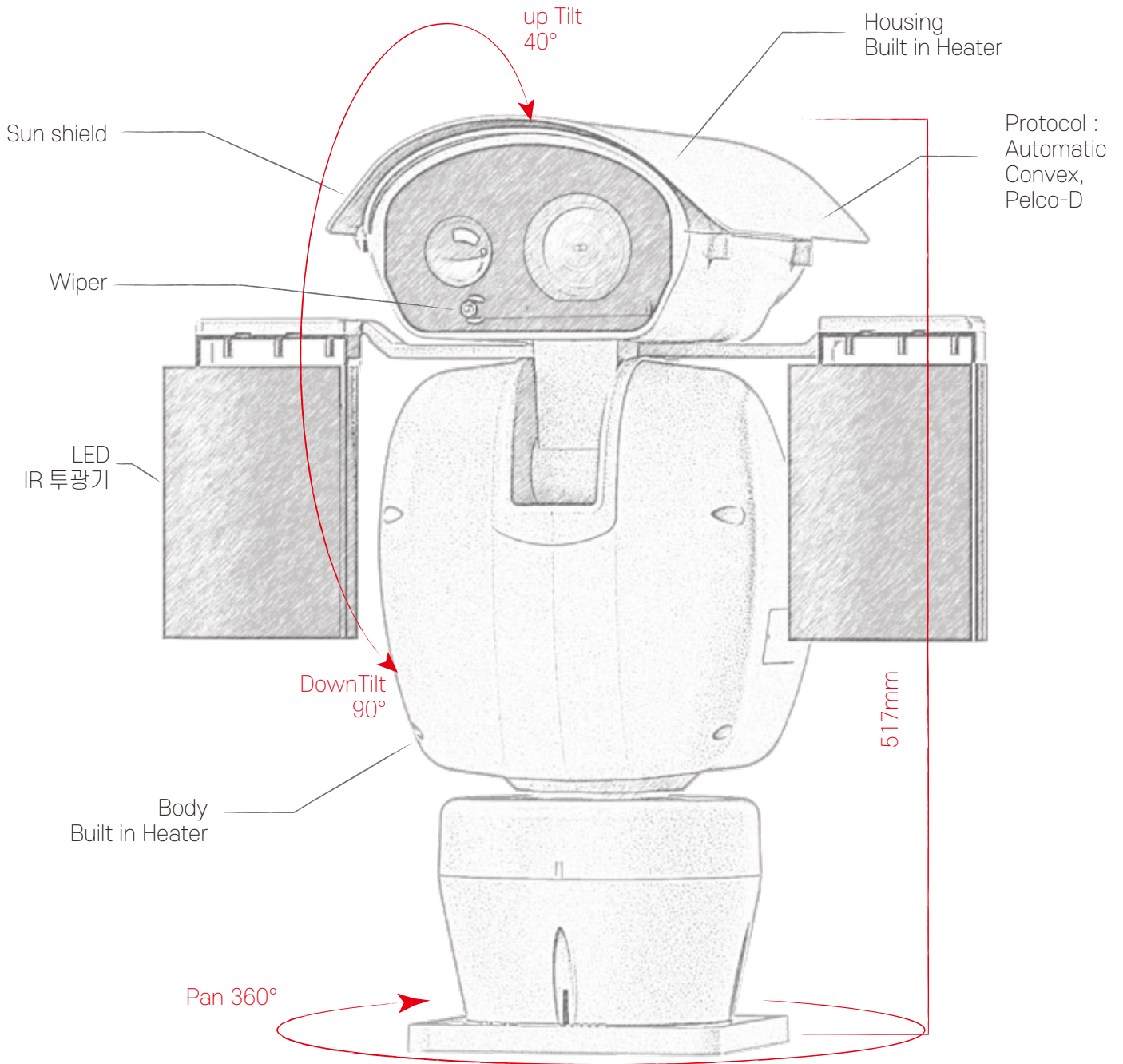
- Zoom Module (Optional)
: 2M 36x, 4M 37x, 8M 40x, 2M 57x
- 레이저투광기 내장 500M~1,000M
- 외장형 IR 투광기 200M
- 와이퍼 히터 내장



Exterior view size

UNIT(mm)





Sensor	
Image Sensor	Sony IMX385L, 1/2" Starvis Sensor
Effective Pixel	1952(H) x 1113(V) approx. 2.17M pixels
Lens	
Focal Length	6.0~216 mm±5%
F No.	F1.5±5% (Wide) ~ F4.8±5% (Tele)
Type	36x Day & Night Zoom Lens
Field of View	H56.5°(W)~ V36°(W)
Camera	
High Dynamic Range	DOL HDR (Digital Over Lab High Dynamic Range)
Day and Night Mode	Automatic, Day, Night
Noise Reduction	2D-NR, 3D-NR
Auto Exposure Mode	Automatic (Priority: Frame rate/Low noise), Manual
Shutter Speed Control	Auto: Min. 1/135,000 sec ~ Max. 1/60 sec Manual: Min. 1/10,000 sec ~ Max. 1/10 sec
Gain Control	Automatic: Min. 1.2dB~ Max. 54dB Manual: Min. 1.2dB~ Max. 54dB, Default 1.2dB
Auto White Balance Mode	ATW-Indoor/Outdoor, Shade, Clear sky, Fluorescent light, Light bulb, Flame, Manual
Digital Zoom	16x
On Screen Display	On/Off
BLC/HLC	On/Off
Image Effect	Mirror, Flip
Privacy Mask	Max.8 Area Selection
Video Motion Detection	Max.4 Area Selection
Lens Distortion Compensation	On/Off
Defog	On/Off
Min Illumination (Color)	Color(1/30s)0.15lux,Color DSS(1/7.5s)0.0375 lux
Min Illumination (B/W)	B/W (1/30s)0.001lux, B/W(1/7.5s)0.002 lux
NETWORK	
Video Compression	H265 Main profile, H264(High, Main, Base line profile), MJPEG
Video Resolution(Frame)	1920x1080/60fps (Full-HD), 1280x760(HD), 640x480(VGA), 352x288(CIF),320x240(QVGA)
Video Streaming	Simultaneously H265 or H264 and MJPEG (Multi Streaming)
Audio Streaming	Independent Frame Rate and Bandwidth Control, VBR/CBR Mode
FTP Uploading	Two way(G.711)
Event In	MJPEG Still Image
Event Out Notification	Onboot/Trigger/Network Loss/Tampering/Motion
Login Authority	E-mail, FTP
Event Buffering	Administrator, Operator, Guest
Manual Trigger	FTP: Pre/Post Event Time: 0~30sec, FPS: 1~2 fps
Security	Still Image Capture
Software Reset /Auto Recovery	Multi User Authority, IP Filtering, HTTPS
Remote Upgrade	Restart, Reset, Factory Default/Backup, Restore Using Web Browser
Protocols	TCP/IP, UDP, IPv4/v6, HTTP, HTTPS, FTP, UPnP, RTP, RTSP, RTCP, DHCP, ARP
Max. User Connection	10 Users

SDK Support

EXTERNAL IN/OUT

Ethernet Tx/Rx

Day & Night Control

Alarm Control

Audio

API, ONVIF Profile S/T Compliant

RJ-45(10/100/1000Base-T)

IR_Cut_Filter Exchange

Alarm-In 2/Alarm-Out 2

Line-In/Line-Out

General

Pan Range/Speed

Tilt Range/Speed

Preset Accuracy/Repeat

Preset / Speed

Scan / Group / Pattern

Fan/Heater/Wiper

Power Source

Power Consumption

Operating Temperature

Unit Dim /Usable Dim

Unit / Load Weight

Color/material

Certificate/IP Rating

0° ~ 360° (Endless), 0.025°/sec~ 120°/sec

-90°~ 40°, 0.025°/sec ~ 40°/sec

Max. ±0.1°/ Max. +0.05°

Max. 319 Point/Max. 120°/sec(Pan)

2/4/8

Built-in Fan / Heater / Defrost Heater/Wiper

AC 24V ± 10%, 6A(MAX)

100W (Heater on), 38W (Heater off)

-40°C ~ 55°C (-40°F~ 131°F) / Up to 90%RH

WxHxD(mm): 219 x 510 x 530/154 x 112 x 296.5

11kg/Max 7kg

White/Aluminum die-casting

IP 66, KC, CE

Accessory

LED IR Illuminator

Max distance

Number LEDs

Light Angle Range

Auto adjustment function

Dustproof, Waterproof

Standard

Power supply

200m

9 ea

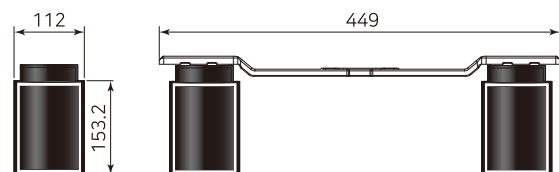
Fixed Lens 25°

Auto IR On/Off, Day & Night

IP67

EMC(FCC, CE, VCCI, RCM, KC)

24V AC(± 10%) / 2A (2ea)



Front 2D View

Ex) Ass'y Light Bracket

Laser IR Illuminator

Max distance

Product Size

Auto adjustment function

Dustproof, Waterproof

Standard

Power supply

500m / 1000m (808nm)

51 x 52 x 70(mm)

Auto IR On/Off, Day & Night

300g.

LED ANGLE 1.7~70°

DC 12V RS485(PELCO-D)



※ Design and Specification can be different between latest production, Please contact out sales for update.

· IP66 (Ingress Protection, 국제 방진/방수 규격)은 제품이 출하조건으로 정확히 설치 및 조립 되었을 때 적용됩니다.



www.kevis.co.kr