

INDOOR & OUTDOOR PANTILT DRIVE

KP-4030



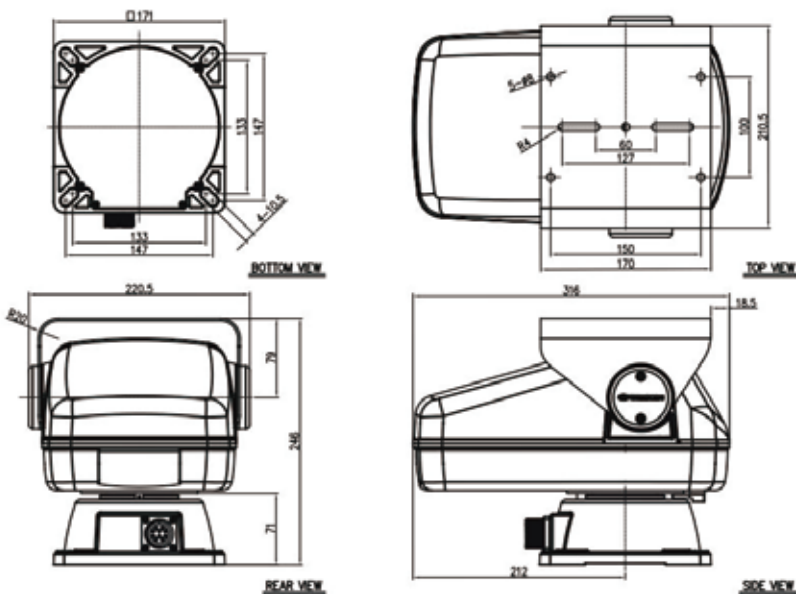
Functions

- 220VAC power
- Pan 355°, tilt -70° to +20°
- Capable of loading up to 35Kg
- Built-in waterproof MS contactor



Exterior view size

UNIT(mm)



TECHNICAL SPECIFICATIONS

CCTV PANTILT DRIVE SERIES

PAN & TILT

Pan rotation angle	0° ~ 355°
Pan rotation speed	0°/sec ~ 6°/sec
Tilt rotation angle	-70° ~ +20°
Tilt rotation speed	-0°/sec ~ 4°/sec
Preset	Built in
Load weight	Max 35kg
Connector	standard 10Pin

OPERATING ENVIRONMENT

Operating temperature	-20°C ~ +60°C
Operating humidity	Max 90%RH
Dustproof/waterproof	KS C IEC 60529(IP66)
Salt water resistance	KS C IEC 60068 2 52

OPERATING POWER

Input voltage	AC 220V (Option : AC 110V)
Power Consumption	40W ± 10%

APPEARANCE & COLOR

Color	IVORY
Weight	8kg ± 10%
Size (mm)	(W)220 x (L)316 x (H)246
Material	Aluminum die casting & PC GF

※ Design and Specification can be different between latest production, Please contact out sales for update.

· IP66 (Ingress Protection, international dust/waterproof standard) is applied when the product is installed and assembled correctly according to shipping conditions.

17, Gosan-ro 148beon-gil, Gunpo-si, Gyeonggi-do (Dangjeong-dong, Gunpo IT Valley Building B 1307) TEL. +82-31-427-9801 FAX. +82-31-427-9806 ● E-Mail : jy.an@kevis.co.kr



www.kevis.co.kr

INDOOR & OUTDOOR PANTILT DIVE



KP-4030

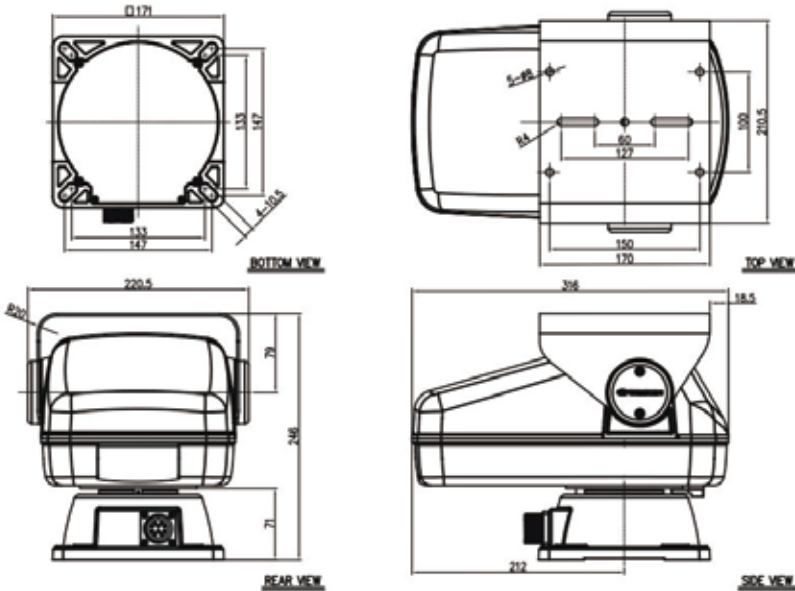
Functions

- 220VAC 전원
- 팬 355°, 틸트 -70° ~ +20°
- 적재하중 최대 35Kg 가능
- 방수 MS 컨택터 내장



Exterior view size

UNIT(mm)



TECHNICAL SPECIFICATIONS

CCTV PANTILT DRIVE SERIES

PAN & TILT

Pan rotation angle	0° ~ 355°
Pan rotation speed	0°/sec ~ 6°/sec
Tilt rotation angle	-70° ~ +20°
Tilt rotation speed	-0°/sec ~ 4°/sec
Preset	Built in
Load weight	Max 35kg
Connector	standard 10Pin

OPERATING ENVIRONMENT

Operating temperature	-20°C ~ +60°C
Operating humidity	Max 90%RH
Dustproof/waterproof	KS C IEC 60529(IP66)
Salt water resistance	KS C IEC 60068 2 52

OPERATING POWER

Input voltage	AC 220V (Option : AC 110V)
Power Consumption	40W ± 10%

APPEARANCE & COLOR

Color	IVORY
Weight	8kg ± 10%
Size (mm)	(W)220 x (L)316 x (H)246
Material	Aluminum die casting & PC GF

