

Front Glass Replacement and AIR CREAM & AIR COOLING



KSA-6615

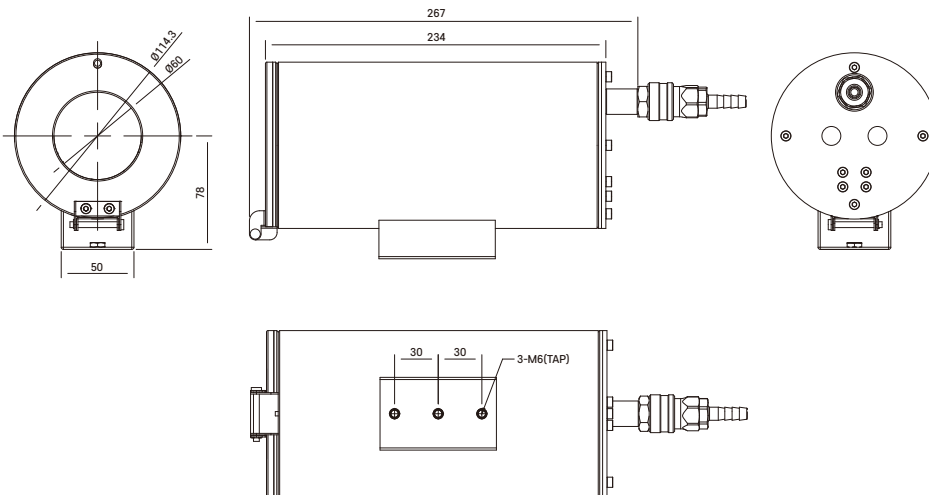
Functions

- Front glass replacement type
- Front glass air cleaning method
- Internal air cooling method
- Special housing for indoor/outdoor use made of SUS material
- Cameras and lenses of various sizes can be mounted
- Indoor/outdoor housing
- Slide Open type - Rear part inlet, -Stainless steel



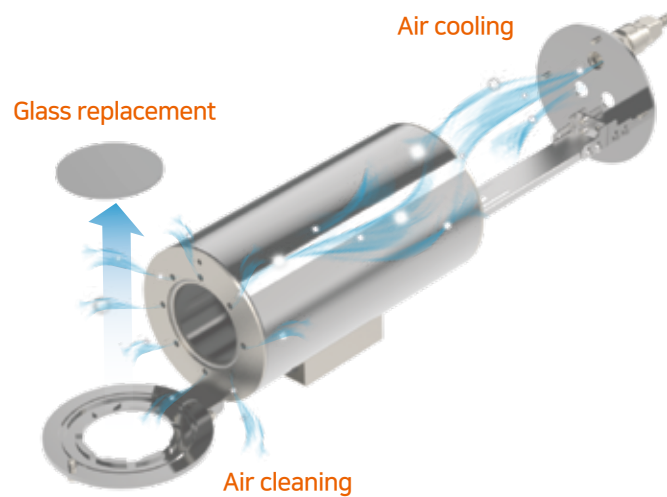
Exterior view size

UNIT(mm)

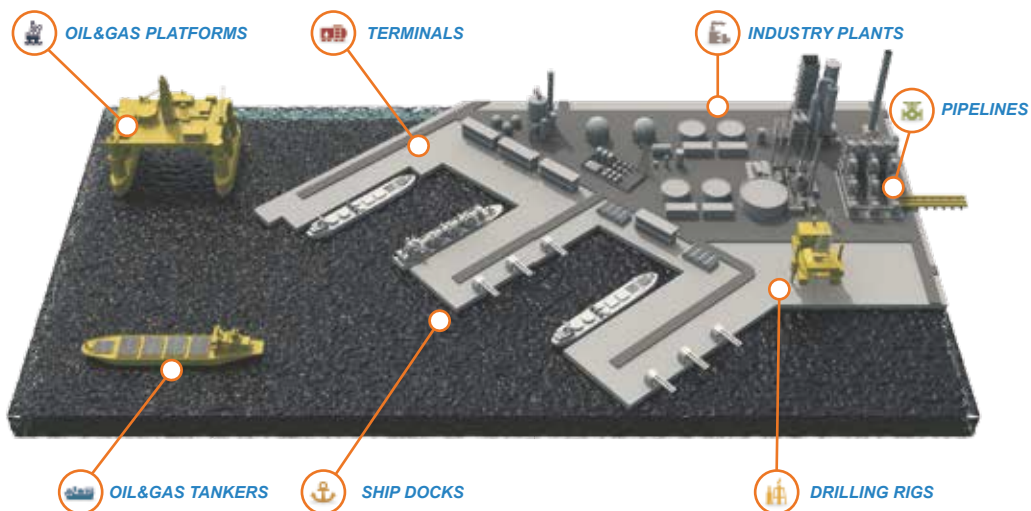


Model	KSA-6615
Usage	Indoor / Outdoor Housing
Open Type	Front Cover and Rear slide opening Type
Material	Stainless steel (304)
Unit Weight	2.5 kg
Network Option	EOC - Ethernet over Coax Fiber - IP over Fider Optic Germanium - Thermal Solution
Window Option	AR (Anti-Refiraction) coating - HD Camera DLC (Diamond like Carbon) Inside (Ø100mm x L:154mm)
Product Size	Outside (Ø114 x L:267mm x H:135mm) Glass (Diameter Ø60mm)
Operation temperature	-50°C~+45°C (Option)
USER OPTIONAL	Heater / Blower / Defroster / SMPS / POE

Air cooling, cleaning and glass replacement



Applications



※ Design and Specification can be different between latest production, Please contact out sales for update.

· IP66 (Ingress Protection, international dust/waterproof standard) is applied when the product is installed and assembled correctly according to shipping conditions.

17, Gosan-ro 148beon-gil, Gunpo-si, Gyeonggi-do (Dangjeong-dong, Gunpo IT Valley Building B 1307) TEL. +82-31-427-9801 FAX. +82-31-427-9806 ● E-Mail : jy.an@kevis.co.kr



www.kevis.co.kr

전면 유리 교체, 에어 클린 & 에어 쿨링

KSA-6615



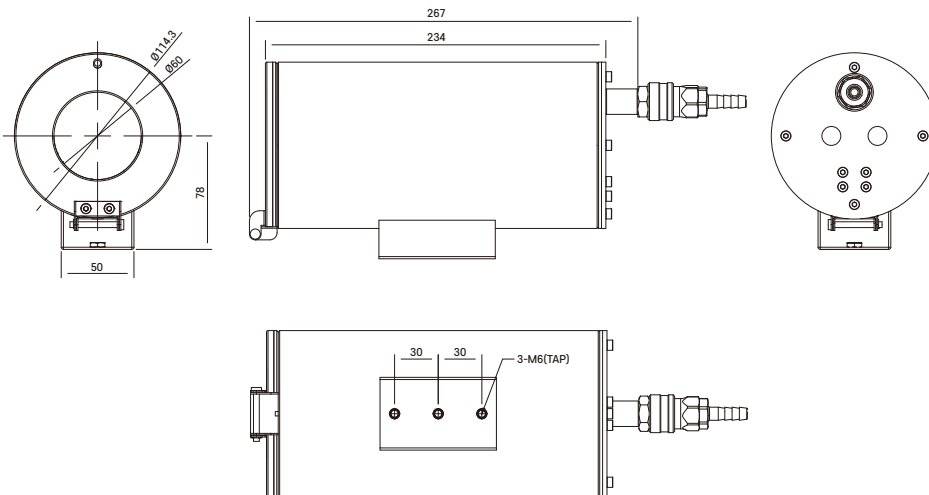
Functions

- 전면 유리 교체형
- 전면 유리 에어클리닝 방식
- 내부 에어 냉각 방식
- SUS 재질의 실내/실외용 특수 하우징
- 다양한 크기의 카메라와 렌즈 장착 가능
- 실내/실외용 하우징



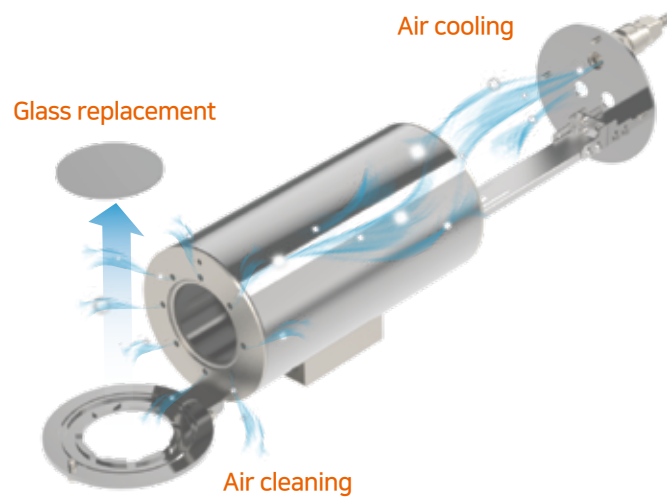
Exterior view size

UNIT(mm)

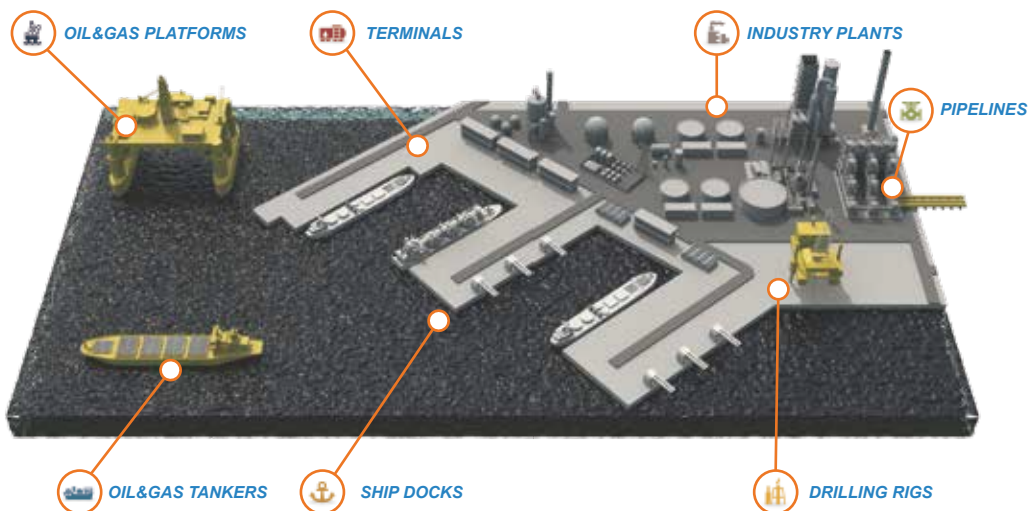


Model	KSA-6615
Usage	Indoor / Outdoor Housing
Open Type	Front Cover and Rear slide opening Type
Material	Stainless steel (304)
Unit Weight	2.5 kg
Network Option	EOC - Ethernet over Coax Fiber - IP over Fider Optic Germanium - Thermal Solution
Window Option	AR (Anti-Refiraction) coating - HD Camera DLC (Diamond like Carbon)
Product Size	Inside (Ø100mm x L:154mm) Outside (Ø114 x L:267mm x H:135mm) Glass (Diameter Ø60mm)
Operation temperature	-50°C~+45°C (Option)
USER OPTIONAL	Heater / Blower / Defroster / SMPS / POE

Air cooling, cleaning and glass replacement



Applications



※ Design and Specification can be different between latest production, Please contact out sales for update.
· IP66 (Ingress Protection, 국제 방진/방수 규격)은 제품이 출하조건으로 정확히 설치 및 조립 되었을 때 적용됩니다.

