

KEVIS POSITIONING CCTV CAMERA SERIES

SUPLEX8000



Ultra-Precise Noiseless Positioning CCTV

Product Features

- No Gear / No Belt / No Backlash / Minimum operating noise
- Korea's first Direct Drive Motor System
- Ultra-precise control and high-speed operation
- Multi-camera combination (2M / 4K / OIS / 36x / 40x / 58x)
- Equipped with long-distance Laser IR
- Aerial surveillance function (Tilt +90° ~ -60°), (Speed: Min 120°/sec)
- Various artificial intelligence support (Option)

Specifications

Specifications

LENS

Focal Length	6.0 ~ 216 mm±5%
F No.	F1.5±5%(Wide) ~ F4.8±5%(Tele)
Image Circle	1/2" inch
Type	36x Day & Night Zoom Lens
Field of View	H56.5°(W) ~ V33.6°(W)

IMAGE

Image Sensor	Sony IMX385LQR, 1/2" RGB Bayer Array CMOS Sensor
Total Number of Pixels	1952(H) x 1113(V) approx. 2.17M pixels
Scanning Mode	Progressive Scan

CAMERA

High Dynamic Range	DOL HDR (Digital Over Lab High Dynamic Range)
Day and Night Mode	Automatic, Day, Night
Noise Reduction	2D-NR, 3D-NR
Auto Exposure Mode	Automatic (Priority: Frame rate/Low noise), Manual
Shutter Speed Control	Automatic: Min. 1/135,000 sec ~ Max. 1/60 sec Manual: Min. 1/10,000 sec ~ Max. 1/10 sec
Gain Control	Automatic: Min. 1.2dB ~ Max. 54dB Manual: Min. 1.2dB ~ Max. 54dB, Default 1.2dB
Auto White Balance Mode	ATW-Indoor/Outdoor, Shade, Clear sky, Fluorescent light, Light bulb, Flame, Manual
Digital Zoom	16x
On Screen Display	On/Off
Back Light Compensation	On/Off
High Light Compensation	On/Off
Image Effect	Mirror, Flip
Privacy Mask	Max.8 Area Selection
Tamper	On/Off
Video Motion Detection	Max.4 Area Selection
Corridor Format	90°/270°
Lens Distortion Compensation	On/Off
Defog	On/Off

NETWORK

Video Compression	H.265 Main profile, H.264(High, Main, Base line profile), MJPEG
Video Resolution	1920x1080(Full-HD), 1280x760(HD), 640x480(VGA), 352x288(CIF), 320x240(QVGA)
Video Frame Rate	Up to 60fps@1920 x 1080p
Video Streaming	Simultaneously H.265 and MJPEG (Multi Streaming) or Simultaneously H.264 and MJPEG (Multi Streaming) Independent Frame Rate and Bandwidth Control, VBR/CBR Mode
Audio Streaming	Two way(G.711)
FTP Uploading	MJPEG Still Image
Event In	Onboot/Trigger/Network Loss/Tampering/Motion
Event Out Notification	E-mail, FTP
Login Authority	Administrator, Operator, Guest
Event Buffering	FTP : Pre/Post Event Time: 0~30sec, FPS: 1~2 fps
Manual Trigger	Still Image Capture
Security	Multi User Authority, IP Filtering, HTTPS
Network Time Sync	Synchronize Computer/NTP Server, Manual
Software Reset	Restart, Reset, Factory Default
Auto Recovery	Backup, Restore
Remote Upgrade	Using Web Browser
Protocols	TCP/IP, UDP, IPv4/v6, HTTP, HTTPS, FTP, UPnP, RTP, RTSP, RTCP, DHCP, ARP, Zeroconf
Client Software	Built-In Web, ONVIF Compatible 3rd Party VMS
Max. User Connection	10 Users
SDK Support	API, ONVIF Profile S/T Compliant

Specifications

Specifications	
EXTERNAL IN/OUT	
Ethernet Tx/Rx	RJ-45(10/100/1000Base-T)
IR_LED Control	IR_LED Control On/Off
Day & Night Control	IR_Cut_Filter Exchange
Iris Control	DC-Iris
Alarm Control	Alarm-In 2/Alarm-Out 2
SD Card	SDHC/SDXC
Audio	Line-In/Line-Out
USB	USB 2.0
CVBS	NT/PAL Composite Out
PTZ FUNCTION	
Pan Range / Speed	360° (Endless), 0.3°/sec ~ 120°/sec
Tilt Range / Speed	-65° ~ 90°, 0.3°/sec ~ 90°/sec
Preset Accuracy / Repeat	Max. ±0.1° / Max. ±0.1°
Preset / Speed	Max. Point / Max. 300°/sec(Pan)
Power Source	AC 24V ±10%, 6A(MAX)
Power Consumption	90W (Heater on),70W (Heater off),(Max 90W)
Operating Temperature	-30°C ~ 55°C (-4°F ~ 131°F) / Up to 90%RH
Unit Dim	W x H x D(mm): 250 x 402 x 300
Unit / Load Weight	9kg
Color/material	customize / Aluminum die-casting
Certificate/IP Rating	IPX 66, KC, CE

Camera (Option)



KSB-2AB 36XF [Ambarella(Built-in IP)]

- 1/1.8 high sensitivity Sony sensor, minimum illuminance: 0.005 Lux (color)
- 36x optical zoom, fast and accurate autofocus
- Maximum resolution 1920x1080@60fps
- Equipped with AMBARELLA main control chip
- HLC, BLC, WDR
- Triple streaming support



KSB-8NB 40X [Nobatek(Built-in IP)]

- 1/1.8 inch SONY STARVIS-2 IMX678
- maximum. 8MP (3840x2160) @25fps resolution
- 40x optical zoom, focal length 6.8~272mm
- Application of artificial intelligence night image enhancement technology
- Supports face, person, and vehicle detection and capture
- AI intelligent analysis
 - : Intrusion, borderline intrusion, double borderline intrusion,
 - : Fire surveillance, smoke surveillance, loitering surveillance, illegal parking
- WDR, 3D DNR, ROI, HLC, BLC, Defog and EIS



KSB-2NB 58X [Nobatek(Built-in IP)]

- 1/1.8 high sensitivity Sony sensor, minimum illuminance: 0.005 Lux (color)
- Multi-axis optical image stabilization (OIS)
- Optical fog correction, haze correction
- Clear image: Multiple aspherical glass applied
- Low Distortion: Absolute difference in TV distortion is less than 1%
- AI intelligent analysis
 - : Intrusion, borderline intrusion, double borderline intrusion
- WDR, 3D DNR, ROI, HLC, BLC, Defog and EIS



KSB-4NB 37XS [Nobatek(Built-in IP)]

- 1/1.8" SONY STARVIS IMX464
- 37x optical zoom, 16x digital zoom, focal length 6.8mm ~ 251mm
- Maximum resolution 4MP (2592x1520) @ 25/30fps
- Supports face, person, and vehicle detection and capture
- Supports smoke and fire detection as well as smart motion detection
- AI intelligent analysis
 - : Trespassing, borderline intrusion, double borderline intrusion, loitering surveillance, illegal parking
- True WDR, 3D DNR, ICR, anti-fog, anti-shake

IR (Option)



Laser IR

Max 500 / Circular Type, 51 x 52 x 70
LED Angle 1.7°~70°, DC12V, RS485(PELCO-D)

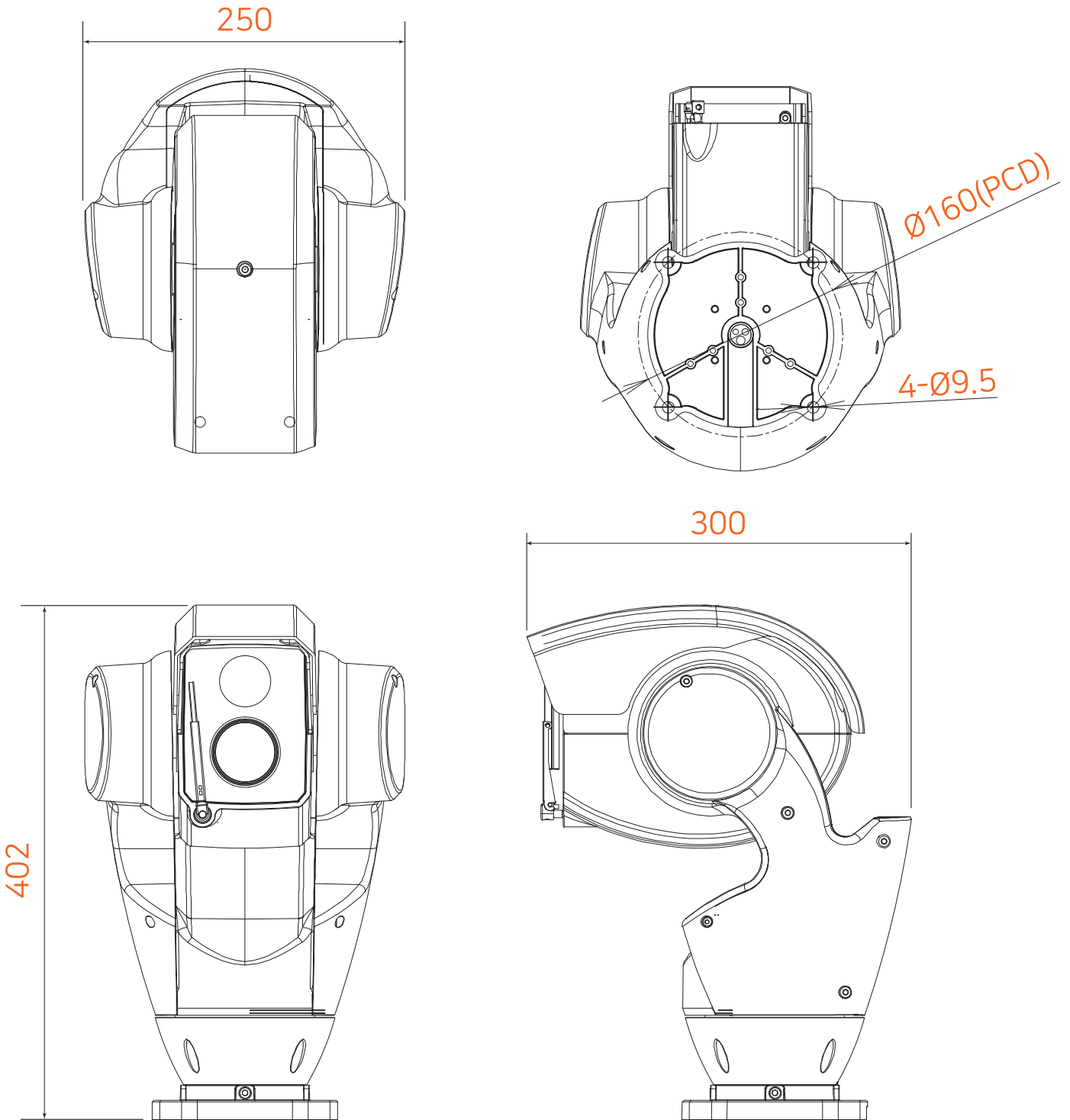


Laser IR

Max 1000 / Circular Type, 51 x 52 x 70
LED Angle 1.3°~60°, DC12V, RS485(PELCO-D)

Dimension

UNIT(mm)



※ Design and Specification can be different between latest production, Please contact out sales for update.



※ Design and Specification can be different between latest production, Please contact out sales for update.

· IP66 (Ingress Protection, international dust/waterproof standard) is applied when the product is installed and assembled correctly according to shipping conditions.

17, Gosan-ro 148beon-gil, Gunpo-si, Gyeonggi-do (Dangjeong-dong, Gunpo IT Valley Building B 1307) TEL. +82-31-427-9801 FAX. +82-31-427-9806 ● E-Mail : jy.an@kevis.co.kr



www.kevis.co.kr