

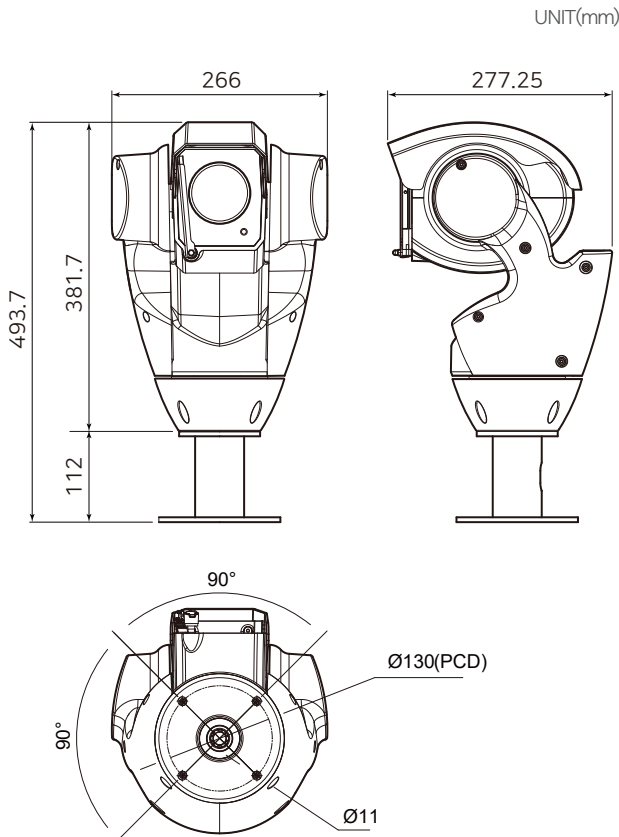
SUPEX-8000_58SW



Features

- motors for high-speed precision robots (BLDC)
- No gear / No belt / No Backlash / No Noise
- Preset Precision 0.05°
- High speed Pan 330°/sec Tilt 120°/sec
- Focal Length 6.3~365 mm±5%
- Various artificial intelligence support
- Optical Image Stabilization
- Optical Defog

Dimensions



※ Specification

| Sensor | |
|--------------------------|--|
| Image Sensor | Sony 1/1.8 inch CMOS Sensor |
| Effective Pixel | 2.16M pixels |
| Focal Length | 6.3~365 mm±5% |
| F No. | F1.5±5% (Wide) ~ F6.4±5% (Tele) |
| Magnification | Hybride 58x |
| Field of View | H63.4.° (W) ~ T1.2°(W) |
| Video | |
| Streaming Capability | 4 Streams(@25/30fps) |
| Stream/Frame Rate | Stream1: 1920×1080, 1280×720 Stream2: 1920×1080, 1280 x 1024, 1280×720, 720 x 480 Stream3: 1280 x 720, 720 x 480, 704 x 480, 640 x 480 Stream4: 1920×1080, 720 x 480, 320×240 |
| Bit Rate Control | CBR / VBR(H.264 / H.265, 32k~10Mbps), CVBR |
| Region of Interest | Off/On (8 areas, Rectangle) |
| Image | |
| Image Adjustment | Sharpness, Gamma, Contrast, D-WDR, Defog |
| Image Rotation | Flip, Mirror |
| White Balance | Auto/Manual |
| Day/Night Setting | Auto, Day, Night, Time |
| Smart IR | Support |
| Noise Reduction | 2D/3D DNR |
| Back light | Off, HLC, BLC, WDR(Low, Middle, High), |
| Wide Dynamic Range | True WDR |
| S/N Ratio | 50dB |
| Motion Detection | Up to 4 zone, Motion Sensitivity |
| Privacy Masking | Support 8 zones |
| AI Function | |
| Multi-Object Detection | Person, Car, Motorcycle, Bicycle, Truck, Bus, Face Detection Intrusion |
| Intelligent Analytics | Detection, Line Crossing, Object Counting, Object Tracking, Tampering, General Detection, Abnormal Detection |
| Network | |
| Interface | 10/100 BaseT Ethernet Auto Sensing |
| Protocol | HTTP/HTTPS, RTP/RTSP (Uni/Multicast), TCP/IP (v4/v6), UDP, FTP, Telnet, RARP, |
| ONVIF | SNMP (option), DHCP, NTP, SMTP client, uPnP & etc |
| Security | profile S, T |
| Dynamic IP Playback | IP Filtering, HTTPS, Encrypted & Basic Authentication, Management |
| | White List |
| I/O | DDNS (www.ipcctvdns.com), Browser (Chrome, I.E, Edge) |
| Video Out | Program (SMVP, SMVP lite, VLC), Mobile App (FlexWATCH Mobile App) |
| Audio | VMS, NVR |
| Audio Compression | CVBS, HD Sony LVDS Camera Micro Coaxial Cable MIPI CSI-2 |
| Alarm | 2 Way (1 x Input, 1 x Output) |
| Serial | G.711-ulaw, Sampling Rates 8KHz, 16bit, Mono |
| microSD (option) | 1 x DI, 1 x DO |
| | COM Port : UART, TTL Level (3.3V) Support |
| | 1 x Slot Support (up to SDXC 128GB) |
| General | |
| Pan Range / Speed | 360° (Endless), 0.3°/sec ~ 120°/sec |
| Tilt Range / Speed | -70° ~ +90°, 0.3°/sec ~ 90°/sec |
| Preset Accuracy / Repeat | Max. ±0.1° / Max. ±0.1° |
| Preset / Speed | Max. Point / Max. 300°/sec(Pan) |
| Power Source | AC 24V ±10%, 6A(MAX) |
| Power Consumption | 90W (Heater on), 70W (Heater off), (Max 90W) |
| Operating Temperature | -30°C ~ 55°C (-4°F ~ 131°F) |
| | / Up to 90%RH |
| Unit Dim | W x H x D(mm): 250 x 402 x 300 |
| Unit / Load Weight | 9kg |
| Color/material | customize / Aluminum die-casting |
| Certificate/IP Rating | IPX 66, KC, CE |

※ These specifications are standard and subject to change when designed