

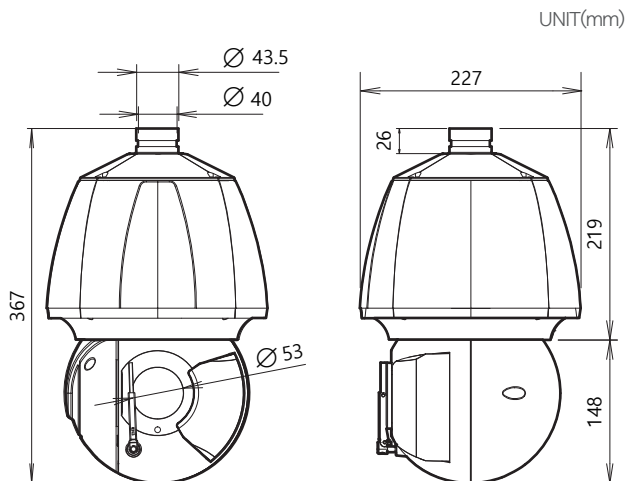
KSD-8000



Features

- The first direct drive speed dome camera in Korea
- No gear / No belt / No Backlash / No Noise (Silent rotation)
- Ultra-precise preset position control 0.05 °
- Strong durability IP66, IK10
- 360 ° continuouse Pan rotaion and Tilt down -90 ° ~ Tilt up +10 ° above the Horizontal Line
- Intra-RED LED illumination and Wiper (Optional)
- Choice of Zoom modules

Dimensions



※ Specification

LENS	
Focal Length	6.0 ~ 216 mm±5%
F No.	F1.5±5%(Wide) ~ F4.8±5%(Tele)
Image Circle	1/2" inch
Type	36x Day & Night Zoom Lens
Field of View	H56.5°(W) ~ V33.6°(W)
IMAGE	
Image Sensor	Sony IMX385LQR, 1/2", RGB Bayer Array CMOS Sensor
Total Number of Pixels	1952(H) x 1113(V) approx. 2.17M pixels
Scanning Mode	Progressive Scan
CAMERA	
High Dynamic Range	DOL HDR (Digital Over Lab High Dynamic Range)
Day and Night Mode	Automatic, Day, Night
Noise Reduction	2D-NR, 3D-NR
Auto Exposure Mode	Automatic (Priority: Frame rate/Low noise), Manual
Shutter Speed Control	Automatic: Min. 1/135,000 sec ~ Max. 1/60 sec Manual: Min. 1/10,000 sec ~ Max. 1/10 sec
Gain Control	Automatic: Min. 1.2dB ~ Max. 54dB Manual: Min. 1.2dB ~ Max. 54dB, Default 1.2dB
Auto White Balance Mode	ATW-Indoor/Outdoor, Shade, Clear sky, Fluorescent light, Light bulb, Flame, Manual
Digital Zoom	16x
On Screen Display	On/Off
Back Light Compensation	On/Off
High Light Compensation	On/Off
Image Effect	Mirror, Flip
Privacy Mask	Max.8 Area Selection
Tamper	On/Off
Video Motion Detection	Max.4 Area Selection
Corridor Format	90°/270°
Lens Distortion Compensation	On/Off
Defog	On/Off
NETWORK	
Video Compression	H.265 Main profile, H.264(High, Main, Base line profile), MJPEG
Video Resolution	1920x1080(Full-HD), 1280x760(HD), 640x480(VGA), 352x288(CIF), 320x240(QVGA)
Video Frame Rate	Up to 60fps@1920 x 1080p
Video Streaming	Simultaneously H.265 and MJPEG (Multi Streaming) or Simultaneously H.264 and MJPEG (Multi Streaming)
Audio Streaming	Two way(G.711)
FTP Uploading	MJPEG Still Image
Event In	Onboot/Trigger/Network Loss/Tampering/Motion
Event Out Notification	E-mail, FTP
Login Authority	Administrator, Operator, Guest
Event Buffering	FTP : Pre/Post Event Time: 0~30sec, FPS: 1~2 fps
Manual Trigger	Still Image Capture
Security	Multi User Authority, IP Filtering, HTTPS
Network Time Sync	Synchronize Computer / NTP Server, Manual
Software Reset	Restart, Reset, Factory Default
Auto Recovery	Backup, Restore
Remote Upgrade	Using Web Browser
Protocols	TCP/IP, UDP, IPv4/v6, HTTP, HTTPS, FTP, UPnP, RTP, RTSP, RTCP, DHCP, ARP, Zeroconf
Client Software	Built-In Web, ONVIF Compatible 3rd Party VMS
Max. User Connection	10 Users
SDK Support	API, ONVIF Profile S/T Compliant
Ethernet Tx/Rx	RJ-45(10/100/1000Base-T)
IR_LED Control	IR_LED Control On/Off
Day & Night Control	IR_Cut_Filter Exchange
Iris Control	DC-Iris
Alarm Control	Alarm-In 2/Alarm-Out 2
SD Card	SDHC/SDXC
Audio	Line-In/Line-Out
USB	USB 2.0
CVBS	NT/PAL Composite Out
GENERAL	
Pan Range / Speed	360° (Endless), 0.05°/sec ~ 120°/sec
Tilt Range / Speed	-90° ~ +10°, 0.05°/sec ~ 120°/sec
Preset Accuracy / Repeat	Max. ±0.05° / Max. ±0.05°
Preset / Speed	Max. Point / Max. 300°/sec(Pan)
Number of Preset	Max 250ea
Power Source	AC 24V ±10%, 6A(MAX)
Power Consumption	90W (Heater on),70W (Heater off),(Max 90W)
Operating Temperature	-30°C ~ 55°C (-4°F ~ 131°F) / Up to 90%RH
Unit Dimension	W x H : Ø227 x 367mm
Unit / Load Weight	6.5kg
Color/material	customize / Aluminum die-casting
Certificate/IP Rating	IPX 66, KC, CE

※ These specifications are standard and subject to change when designed